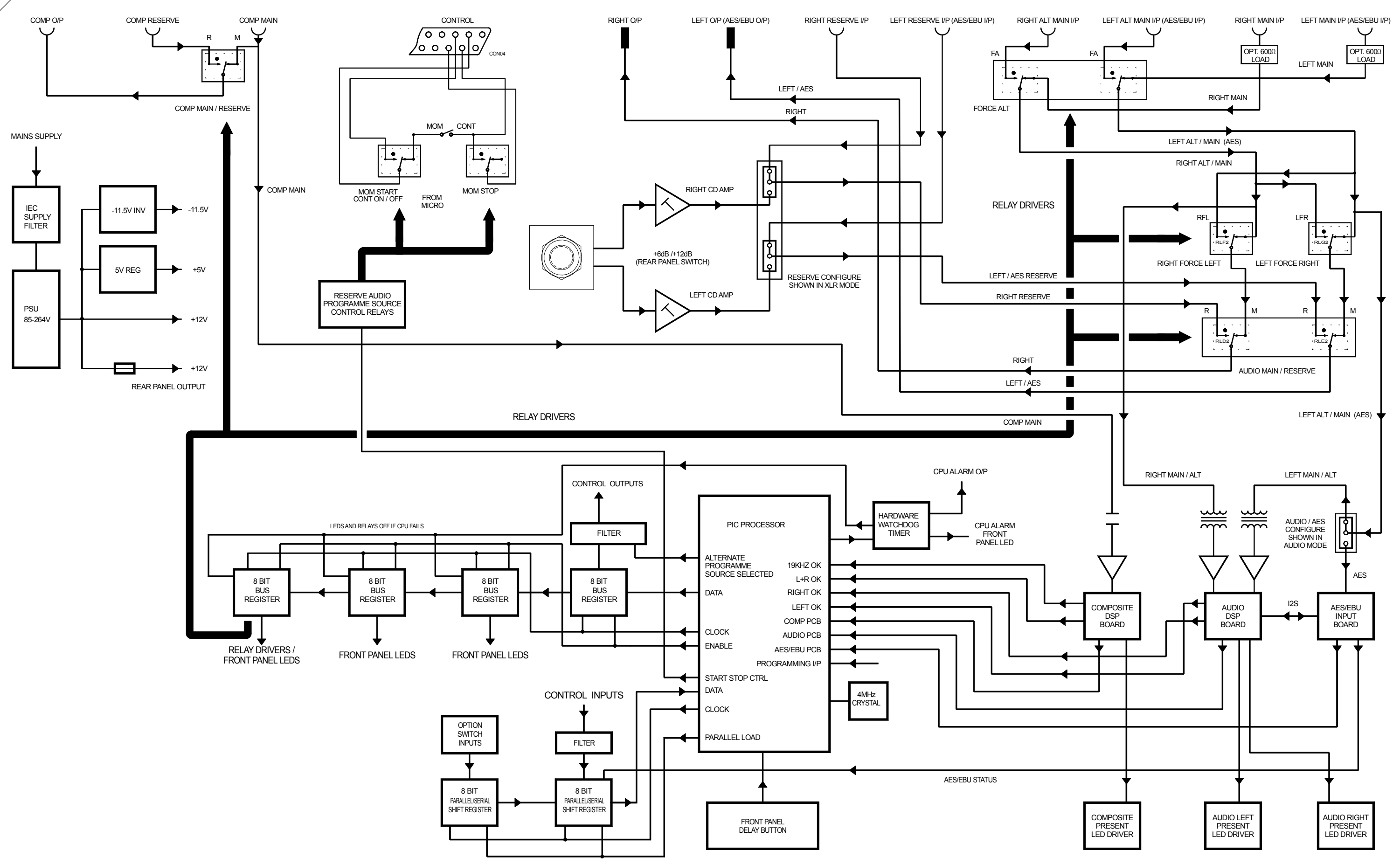


IF
IN DOUBT
ASK



EDDYSTONE
BROADCAST

TITLE BLOCK DIAGRAM
E2072 AUDIO FAIL AND CHANGEOVER UNIT

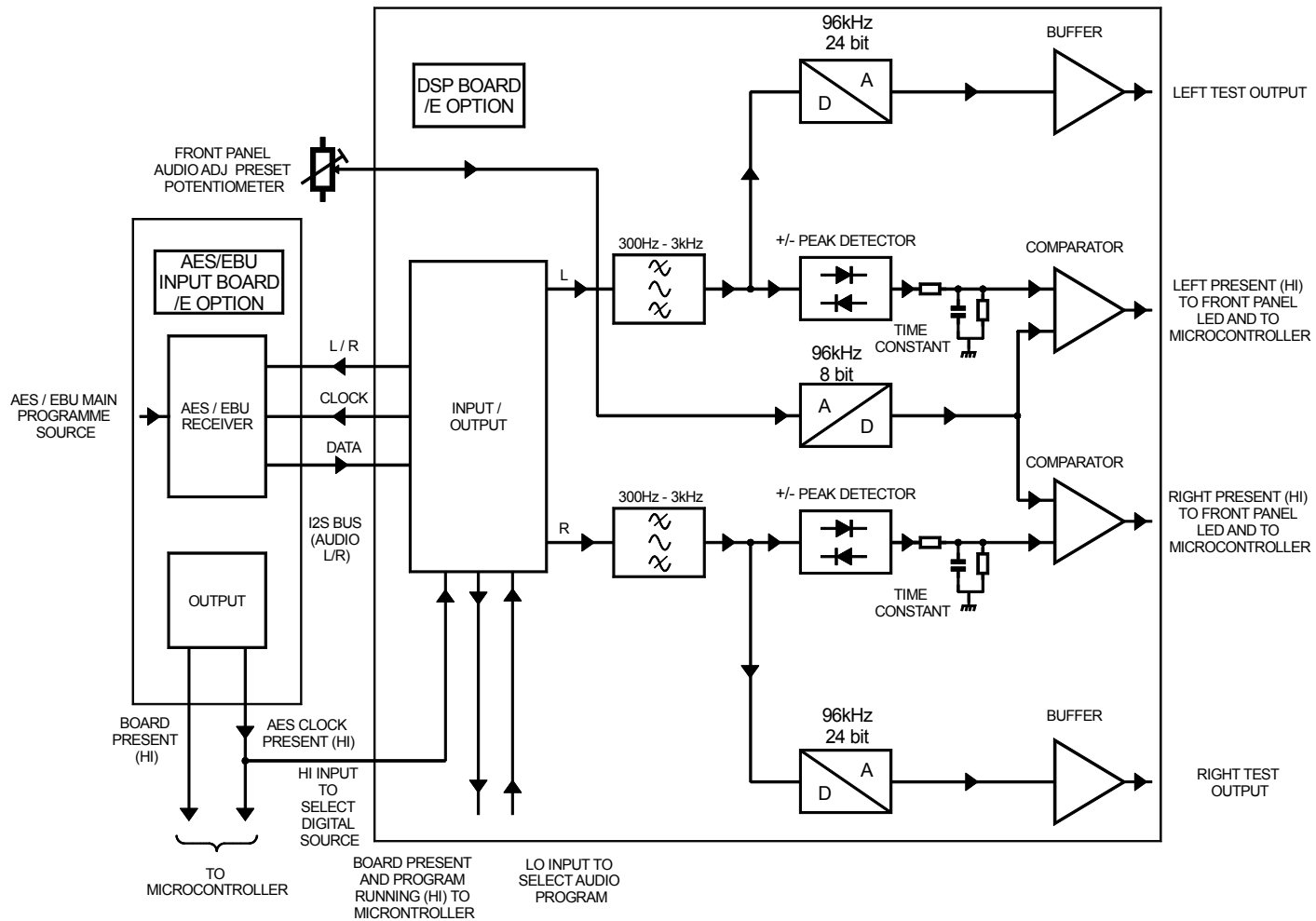
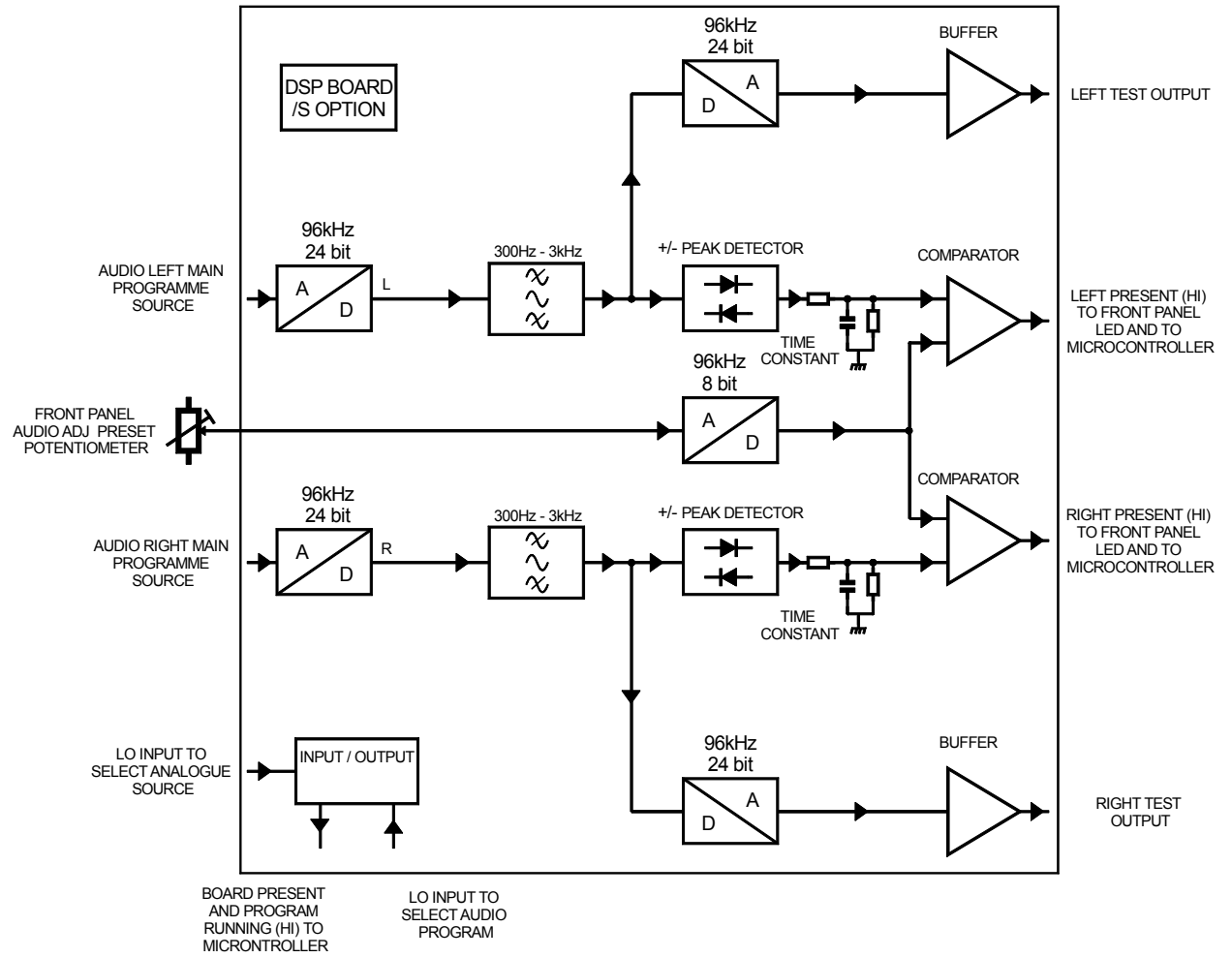
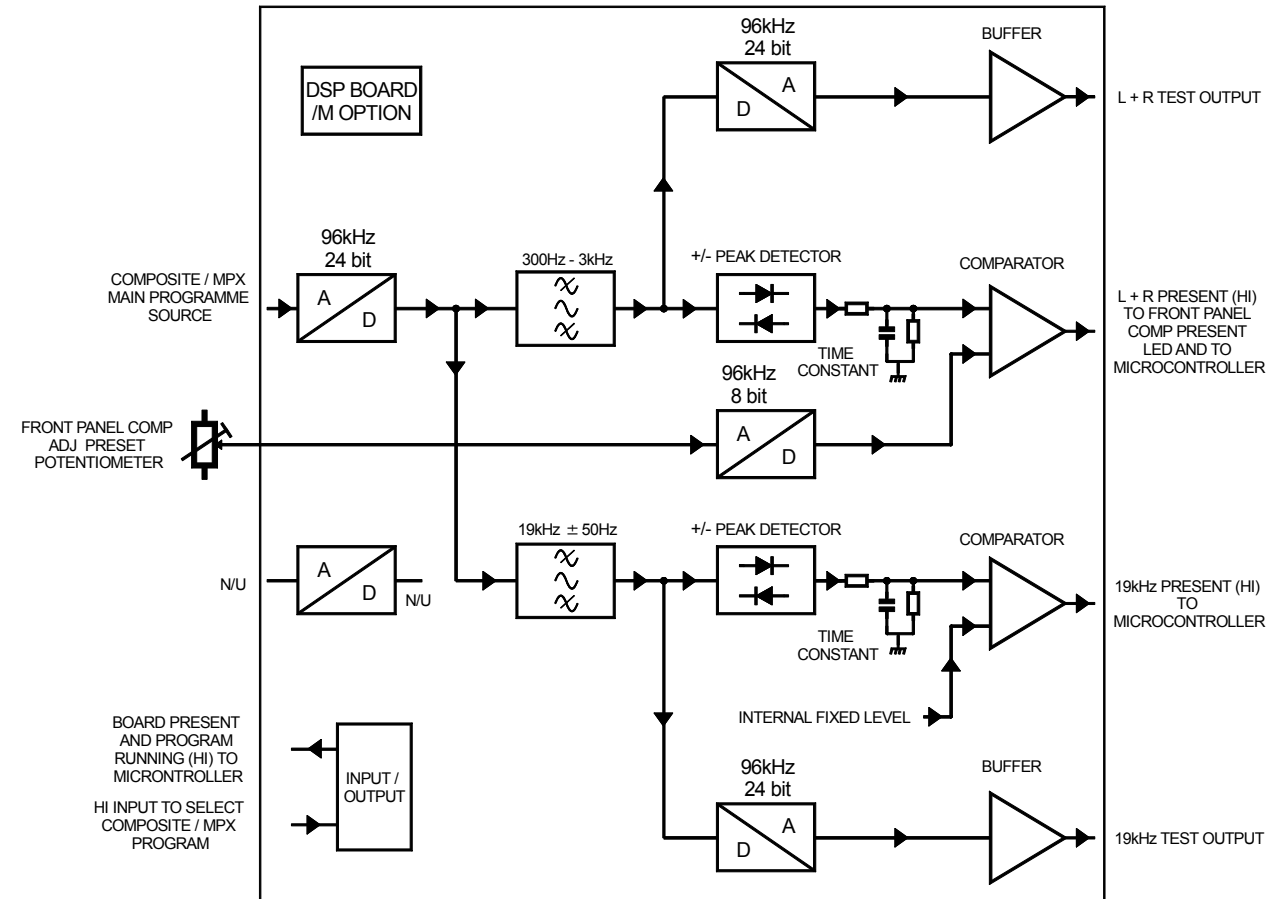
DRAWN	GJM
DATE	4/11/14
CHECKED	GJM
APPROVED	
PROJECT	

REVISIONS	
2	Relay was CONT START and CONT STOP GJM
1	FIRST ISSUE
REVISIONS	

SHEET 1 OF 2
DRG No.
E2072-01BK-02

This drawing is issued by EDDYSTONE BROADCAST on the express terms that it is treated as confidential, is not to be copied or communicated to any other person and may be used for manufacture only when accompanied by an order from this company.

IF IN DOUBT ASK



TITLE			
E2072 DSP AES/EBU BLOCK DIAGRAM			
EDDYSTONE BROADCAST			
DRAWN	GJM		2 See SHEET1 Revision GJM
DATE	4/11/14		1 FIRST ISSUE
CHECKED	GJM		REVISIONS
APPROVED			SHEET 2 OF 2
PROJECT	E2072	REVISIONS	DRG No.
		REVISIONS	E2072-01BK-02

This drawing is issued by EDDYSTONE BROADCAST on the express terms that it is treated as confidential, is not to be copied or communicated to any other person and may be used for manufacture only when accompanied by an order from this company.