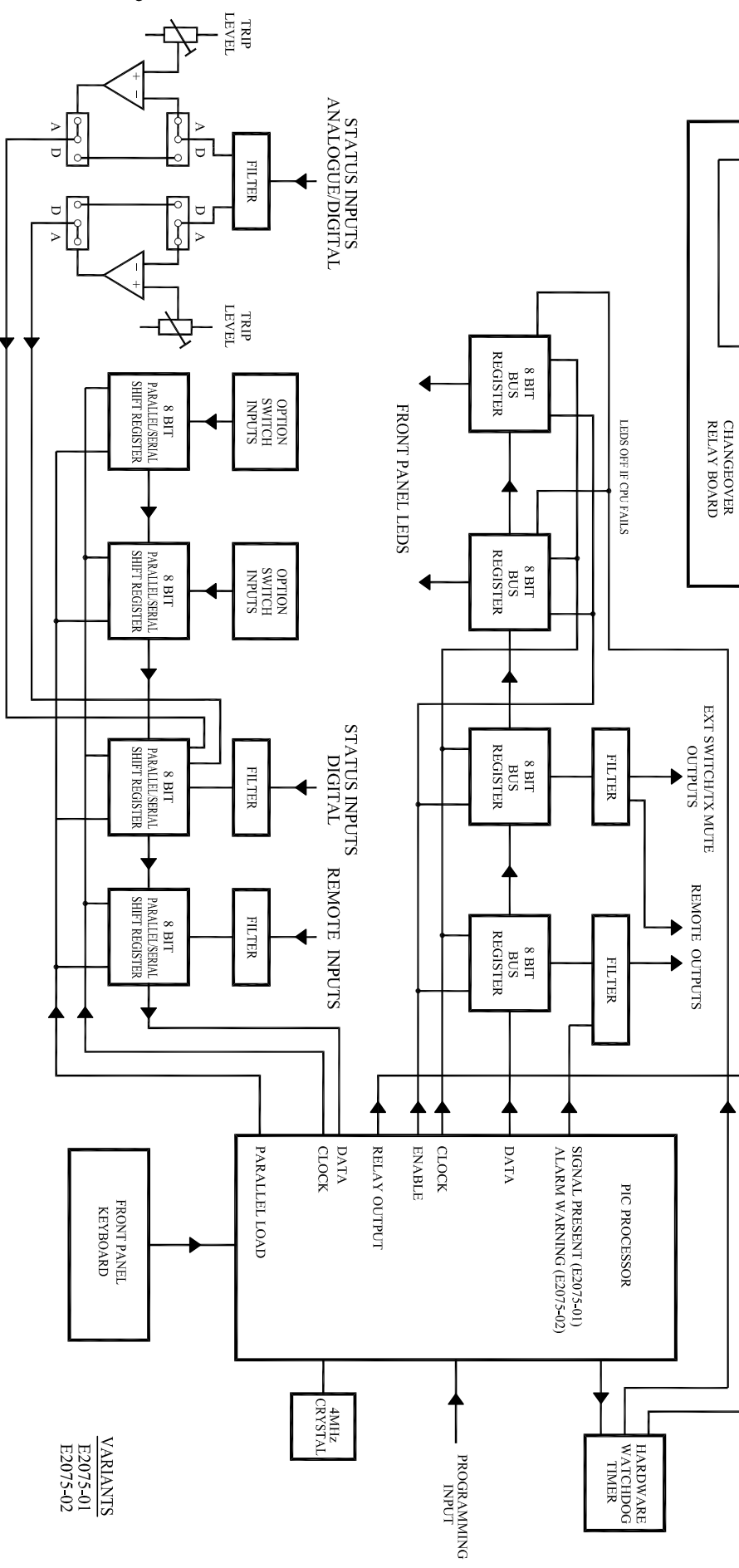


MAINS SUPPLY



VARIANTS
E2075-01
E2075-02



TITLE
BLOCK DIAGRAM
E2075 AUTOMATIC CHANGEOVER UNIT

DRAWN	KDC
DATE	MAR 07
CHECKED	
APPROVED	
PROJECT	

3	DRG. No. WAS E2075-01BK-02 NOW 2 VARIANTS 01 & 02. KDC/RS 21/10/13	1	FIRST ISSUE
2	WAS ACU5 KDC/RS 05/07/07		
REVISIONS		REVISIONS	

SHEET 1 OF 1
DRG No. **E2075-01BK-03**

This drawing is issued by EDDYSTONE BROADCAST on the express terms that it is treated as confidential, is not to be copied or communicated to any other person and may be used for manufacture only when accompanied by an order from this company.